

RJ24P3BA0ET

1/3.2-type CCD with 3.37-Mpixels

Under development

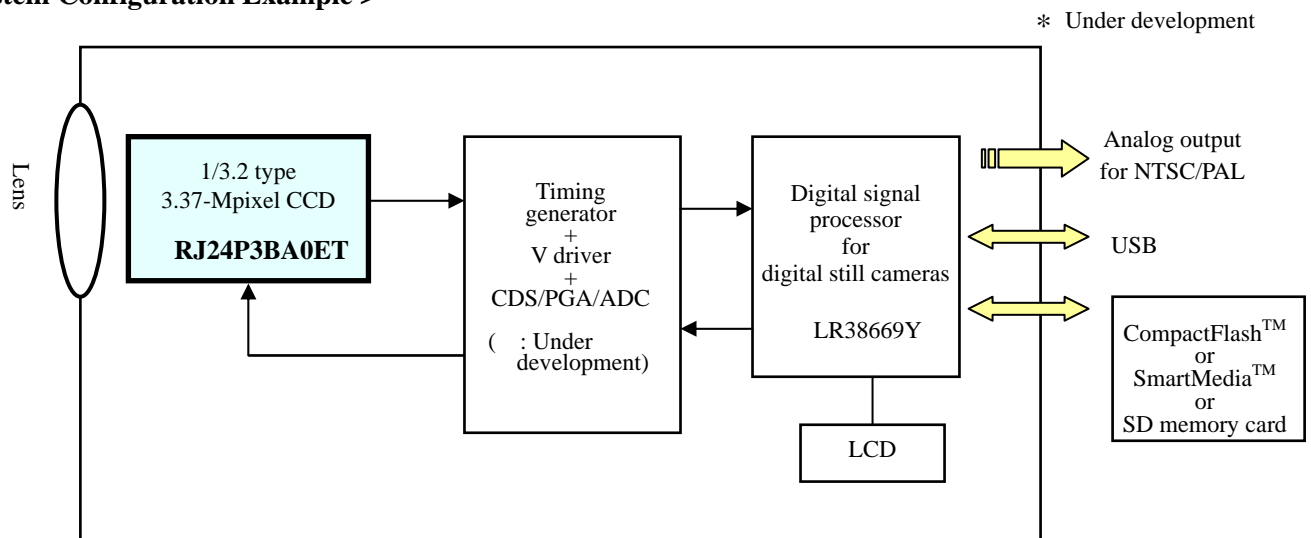
< Outline >

RJ24P3BA0ET is a 1/3.2-type CCD with 3.37-Mpixel which is targeted for digital still cameras. With higher still image picture quality, it corresponds to the motion image of a VGA pixel (30 fps). This model enables higher-quality shooting in both still image mode and motion image mode.

< Main Specifications >

- Optical size: 1/3.2-type
- Total number of pixels: 3.37-Mpixels
(2 152 (H) x 1 569 (V))
- Image pixels: 3.27-Mpixels
(2 096(H) x 1 560(V))
(Aspect ratio 4 : 3)
- Square pixel (Pixel size: 2.2 μm x 2.2 μm)
- Transfer method: Interline scan format
- Still image read: 3-field read
- Sensitivity: 90 mV (TYP.)
- Smear ratio: -88 dB (TYP.)
- Supply voltage: 15.5/3.3/-8.0 V
- Saturation output voltage: 550 mV (TYP.)
- Output voltage (in dark surroundings): 0.5 mV
- Operating temperature: -20 to 70°C
- Package: 28SOP (P-SOP028-0400)

< System Configuration Example >



- CompactFlash is a trademark of SanDisc Corporation.
- SmartMedia is a trademark of Toshiba Corporation.

Contact SHARP in order to obtain the latest device specification sheets before using any SHARP device. Manufacturing locations are also subject to change without notice. In the absence of confirmation by device specification sheets, SHARP takes no responsibility for any defects that occur in equipment using any SHARP devices shown in catalogs, data books, etc. The circuit application examples in this publication are provided to explain representative applications of SHARP devices and are not intended to guarantee any circuit design or license any intellectual property right. SHARP takes no responsibility for any problems related to any intellectual property right of a third party resulting from the use of SHARP devices. SHARP reserves the right to make changes in the specifications, characteristics, data, materials, structures and other contents described herein at any time without notice in order to improve design or reliability.